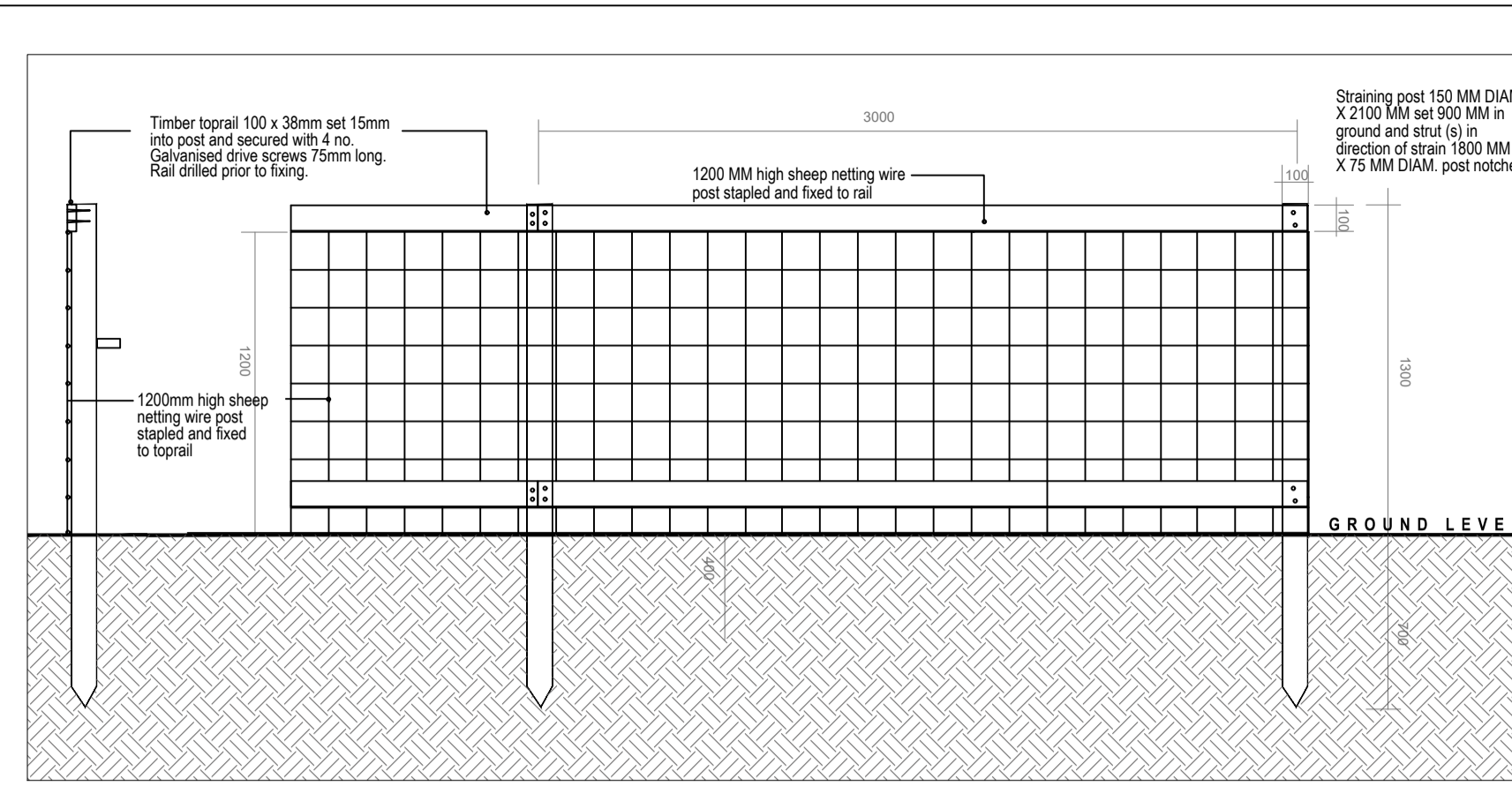
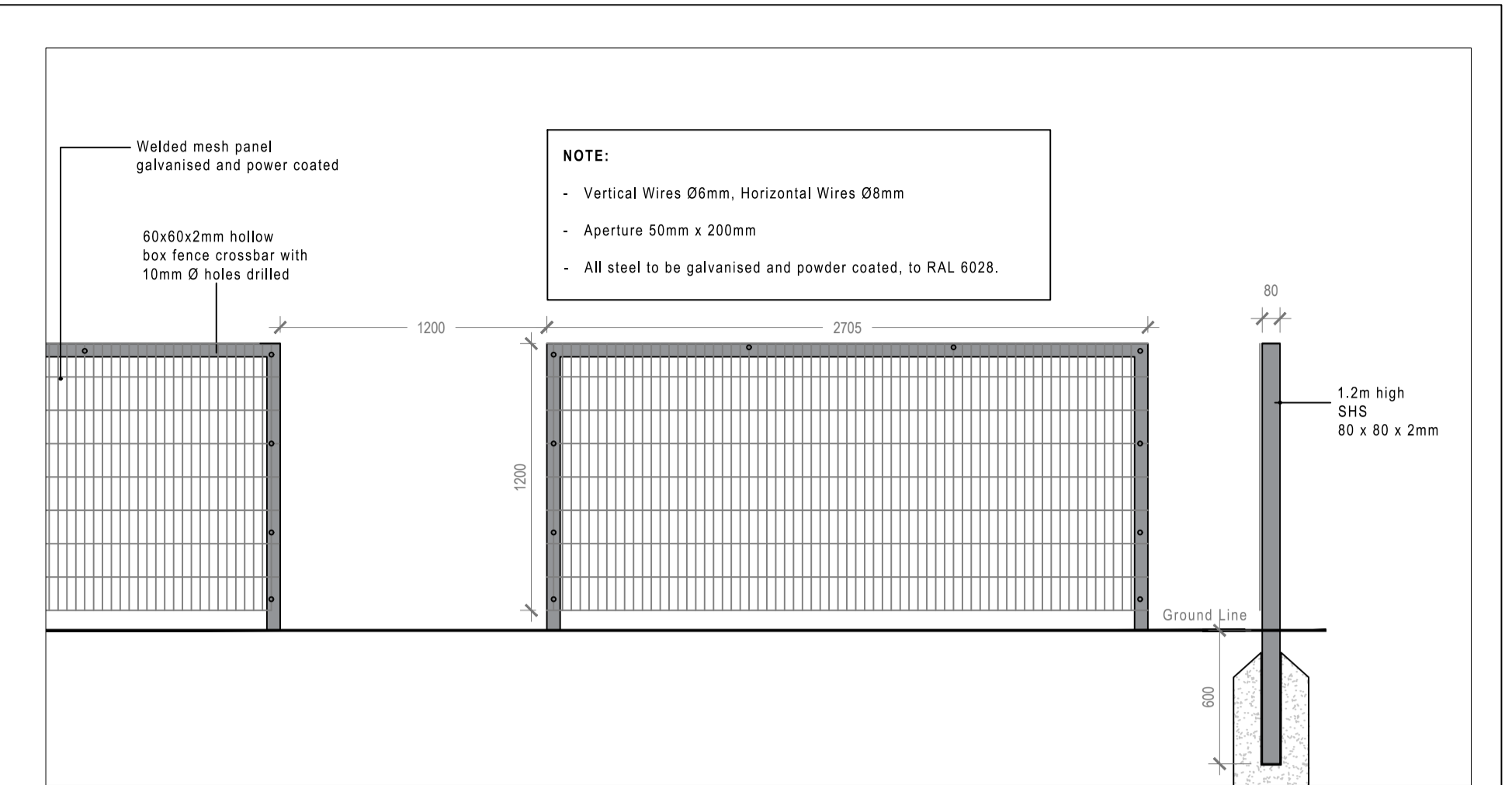


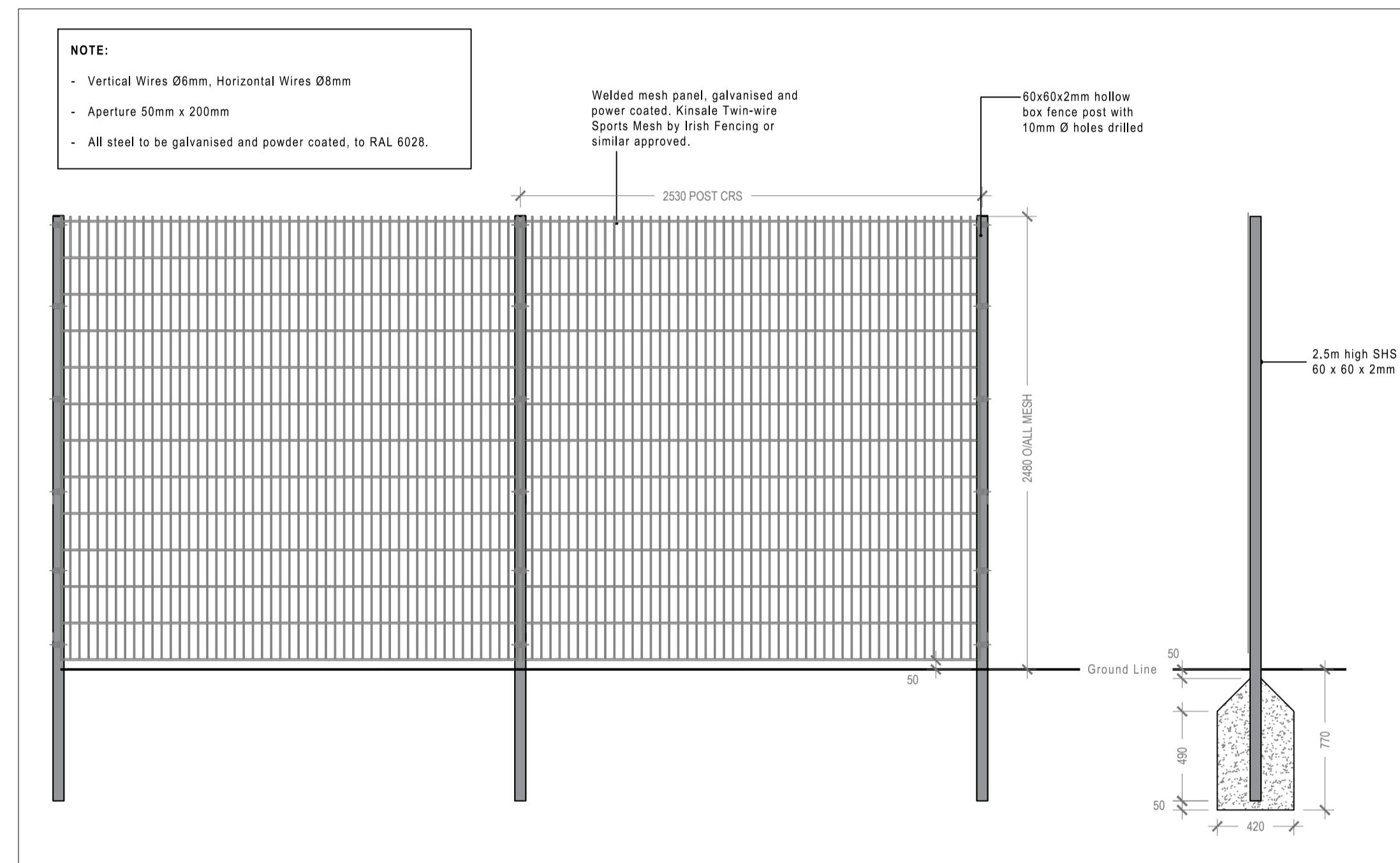
D10 Detail of 1.2m high timber post and rail fence with welded mesh
111 scale 1:25



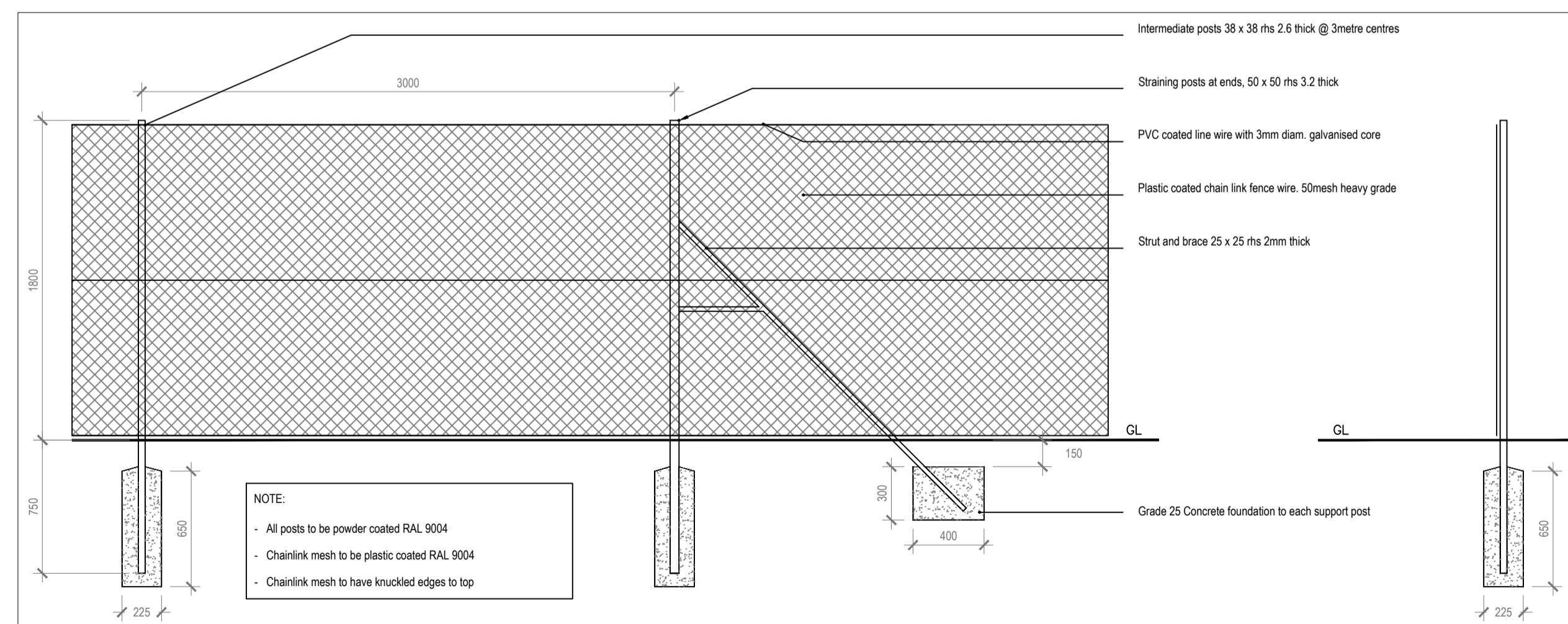
D12 Detail of support fencing to hedging
111 scale 1:25



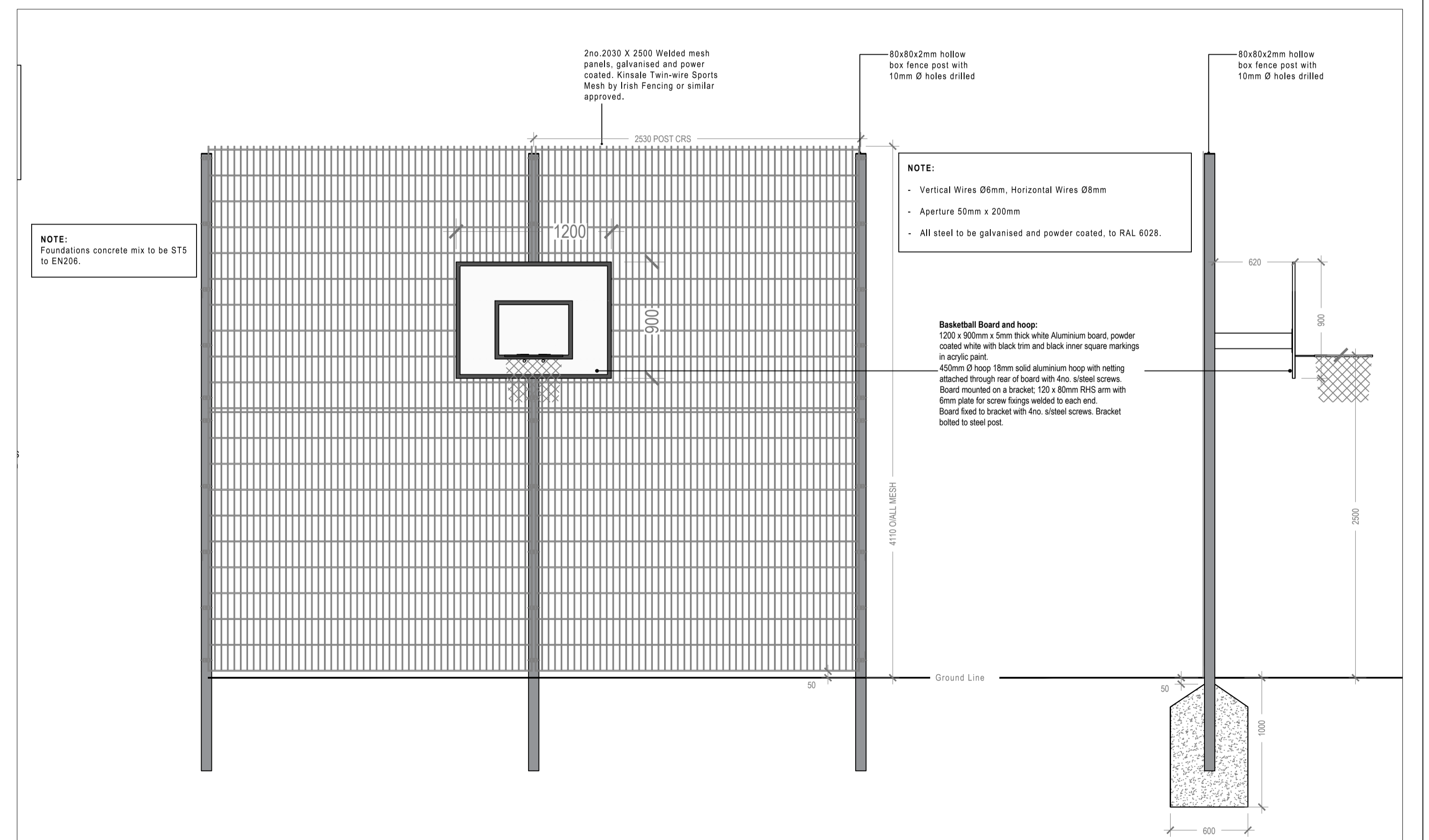
D13 Detail of 1.2m high mesh panel fence
111 scale 1:25



D14 Detail of 3m high ballstop
111 scale 1:25



D16 Detail of 1.8m high chainlink fence
111 scale 1:25



D15 Detail of 4.1m high ballstop
111 scale 1:25

THIS DRAWING IS COPYRIGHT ©	
notes	DO NOT SCALE figured dimensions only to be taken from this drawing

00 Farrankelly Greystones, Co. Wicklow for Cairn Homes Properties Ltd. 09 Boundary Treatment Details 2	Scales As Shown @ A1 Date 02.09.19 Job No. 0285	Status PLANNING Dn MM Chd SK 111
	7 Abbey Business Park Grange Drive Dublin 13 T: 00353 (0)1 8326715 E: info@kfa.ie W: www.kfa.ie Kevin Fitzpatrick Landscape Architecture	